

◆ DIP Power Inductors DR Series



PRODUCT IDENTIFICATION

DR 0810 - 100 K
a b c d

a: Series name

b: Product dimensions

c: Inductance Value

(1R0:1.0uH; 100: 10uH; 101:100uH)

d: Inductance Tolerance (J:5%; K:10% ; M:20%)

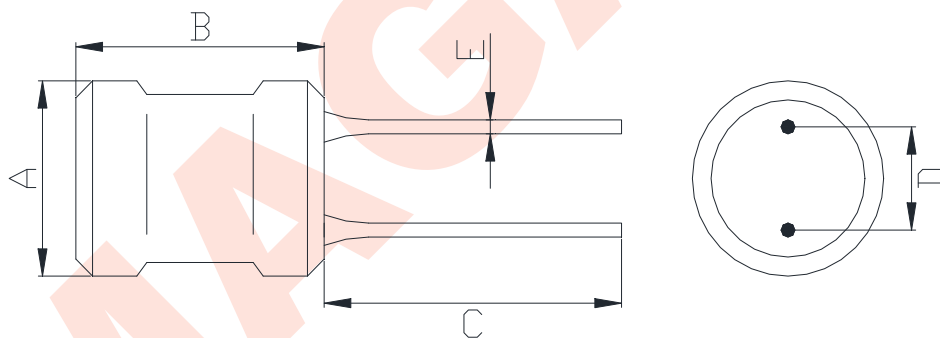
FEATURES

- ◆ Low cost.
- ◆ Wide range of inductance.
- ◆ Small mounting space required.
- ◆ The other types with low DCR, large current, best for the power supply line.

APPLICATIONS

- Power supplies, DC-DC converters, TVs, VTRs, computer, computer peripherals, home electric appliance, ect.

SHAPES AND DIMENSIONS



Series	Dimensions(mm)				
	A Max.	B Max.	C Ref.	D	E Ref.
DR0406	5.50	8.00	15.0	2.0±0.5	0.50
DR0608	7.50	10.00	15.0	3.0±0.5	0.60
DR0810	10.00	13.00	15.0	5.0±0.5	0.65
DR0912	11.00	15.00	15.0	5.0±0.5	0.80
DR1012	12.00	15.00	15.0	5.0±0.5	0.80

◆ DIP Power Inductors DR Series

ELECTRICAL CHARACTERISTICS

Part Number	L (μ H)	Test Freq. (KHz)	DCR Max. (Ω)	Rated Current (A)
DR0406-1R0M	1.0	1.0	0.035	2.00
DR0406-1R2M	1.2	1.0	0.058	1.95
DR0406-1R5M	1.5	1.0	0.075	1.90
DR0406-1R8M	1.8	1.0	0.110	1.80
DR0406-2R2M	2.2	1.0	0.120	1.75
DR0406-2R7M	2.7	1.0	0.125	1.68
DR0406-3R3M	3.3	1.0	0.130	1.50
DR0406-3R9M	3.9	1.0	0.135	1.45
DR0406-4R7M	4.7	1.0	0.140	1.32
DR0406-5R6M	5.6	1.0	0.145	1.23
DR0406-6R8M	6.8	1.0	0.150	1.15
DR0406-8R2M	8.2	1.0	0.160	1.10
DR0406-100K	10	1.0	0.230	1.00
DR0406-120K	12	1.0	0.240	0.97
DR0406-150K	15	1.0	0.250	0.92
DR0406-180K	18	1.0	0.330	0.86
DR0406-220K	22	1.0	0.450	0.80
DR0406-270K	27	1.0	0.500	0.71
DR0406-330K	33	1.0	0.700	0.66
DR0406-390K	39	1.0	0.740	0.60
DR0406-470K	47	1.0	0.760	0.55
DR0406-560K	56	1.0	0.800	0.50
DR0406-680K	68	1.0	0.900	0.47
DR0406-820K	82	1.0	0.950	0.43
DR0406-101K	100	1.0	1.000	0.40
DR0406-121K	120	1.0	1.100	0.37
DR0406-151K	150	1.0	1.300	0.35
DR0406-181K	180	1.0	1.500	0.32
DR0406-221K	220	1.0	1.800	0.30
DR0406-271K	270	1.0	1.900	0.27
DR0406-331K	330	1.0	2.200	0.25
DR0406-391K	390	1.0	2.700	0.22
DR0406-471K	470	1.0	3.600	0.20
DR0406-561K	560	1.0	4.200	0.19
DR0406-681K	680	1.0	4.600	0.17
DR0406-821K	820	1.0	5.700	0.16

Note:

Rated current: The DC current at which the inductance decreases to 90 % of its initial value or when $\Delta t = 40^{\circ}\text{C}$, whichever is lower ($T_a = 25^{\circ}\text{C}$)

◆ DIP Power Inductors DR Series

ELECTRICAL CHARACTERISTICS

Part Number	L (μ H)	Test Freq. (KHz)	DCR Max. (Ω)	Rated Current (A)
DR0608-3R3M	3.3	1.0	0.016	3.50
DR0608-4R7M	4.7	1.0	0.020	3.00
DR0608-6R8M	6.8	1.0	0.022	2.50
DR0608-100K	10	1.0	0.039	2.00
DR0608-150K	15	1.0	0.045	1.70
DR0608-220K	22	1.0	0.062	1.40
DR0608-330K	33	1.0	0.100	1.10
DR0608-470K	47	1.0	0.150	0.95
DR0608-680K	68	1.0	0.220	0.80
DR0608-101K	100	1.0	0.350	0.65
DR0608-151K	150	1.0	0.430	0.54
DR0608-221K	220	1.0	0.900	0.44
DR0608-331K	330	1.0	1.500	0.36
DR0608-471K	470	1.0	1.800	0.30
DR0608-681K	680	1.0	2.500	0.25
DR0608-102K	1000	1.0	3.200	0.20
DR0608-122K	1200	1.0	3.500	0.18
DR0608-152K	1500	1.0	4.500	0.17
DR0608-182K	1800	1.0	5.000	0.15
DR0608-222K	2200	1.0	6.800	0.14
DR0608-272K	2700	1.0	7.200	0.12
DR0608-332K	3300	1.0	10.500	0.11
DR0608-392K	3900	1.0	11.700	0.10
DR0608-472K	4700	1.0	13.600	0.09
DR0608-562K	5600	1.0	16.600	0.08
DR0608-682K	6800	1.0	19.600	0.08
DR0608-822K	8200	1.0	25.200	0.07
DR0608-103K	10000	1.0	29.500	0.06
DR0608-123K	12000	1.0	33.800	0.06
DR0608-153K	15000	1.0	45.400	0.05
DR0608-183K	18000	1.0	50.400	0.05
DR0608-223K	22000	1.0	80.000	0.04
DR0608-273K	27000	1.0	91.500	0.04
DR0608-333K	33000	1.0	98.500	0.03
DR0608-393K	39000	1.0	140.000	0.03
DR0608-473K	47000	1.0	160.000	0.03

Note:

Rated current: The DC current at which the inductance decreases to 90 % of its initial value or when $\Delta t = 40^{\circ}\text{C}$, whichever is lower ($T_a = 25^{\circ}\text{C}$)

◆ DIP Power Inductors DR Series

ELECTRICAL CHARACTERISTICS

Part Number	L (μ H)	Test Freq. (KHz)	DCR Max. (Ω)	Rated Current (A)
DR0810-3R3M	3.3	1.0	0.012	5.00
DR0810-3R9M	3.9	1.0	0.014	4.60
DR0810-4R7M	4.7	1.0	0.016	4.30
DR0810-5R6M	5.6	1.0	0.020	3.90
DR0810-6R8M	6.8	1.0	0.022	3.70
DR0810-8R2M	8.2	1.0	0.024	3.50
DR0810-100K	10	1.0	0.025	3.20
DR0810-120K	12	1.0	0.027	3.00
DR0810-150K	15	1.0	0.033	2.80
DR0810-180K	18	1.0	0.039	2.60
DR0810-220K	22	1.0	0.047	2.40
DR0810-270K	27	1.0	0.052	2.10
DR0810-330K	33	1.0	0.075	1.90
DR0810-390K	39	1.0	0.082	1.70
DR0810-470K	47	1.0	0.100	1.50
DR0810-560K	56	1.0	0.150	1.30
DR0810-680K	68	1.0	0.180	1.20
DR0810-820K	82	1.0	0.200	1.10
DR0810-101K	100	1.0	0.210	0.90
DR0810-121K	120	1.0	0.220	0.80
DR0810-151K	150	1.0	0.240	0.72
DR0810-181K	180	1.0	0.280	0.65
DR0810-221K	220	1.0	0.350	0.60
DR0810-271K	270	1.0	0.400	0.55
DR0810-331K	330	1.0	0.470	0.50
DR0810-391K	390	1.0	0.680	0.46
DR0810-471K	470	1.0	0.800	0.42
DR0810-561K	560	1.0	1.000	0.38
DR0810-681K	680	1.0	1.200	0.35
DR0810-821K	820	1.0	1.500	0.31
DR0810-102K	1000	1.0	1.800	0.28
DR0810-122K	1200	1.0	2.000	0.25
DR0810-152K	1500	1.0	2.400	0.23
DR0810-182K	1800	1.0	2.800	0.21
DR0810-222K	2200	1.0	3.300	0.19
DR0810-272K	2700	1.0	5.000	0.17

Note:

Rated current: The DC current at which the inductance decreases to 90 % of its initial value or when $\Delta t = 40^{\circ}\text{C}$, whichever is lower ($T_a = 25^{\circ}\text{C}$)

◆ DIP Power Inductors DR Series

ELECTRICAL CHARACTERISTICS

Part Number	L (μ H)	Test Freq. (KHz)	DCR Max. (Ω)	Rated Current (A)
DR0912-1R0M	1.0	1.0	0.011	5.00
DR0912-1R5M	1.5	1.0	0.012	4.80
DR0912-1R8M	1.8	1.0	0.013	4.70
DR0912-2R2M	2.2	1.0	0.015	4.60
DR0912-3R3M	3.3	1.0	0.017	4.50
DR0912-3R9M	3.9	1.0	0.019	4.30
DR0912-4R7M	4.7	1.0	0.020	4.00
DR0912-5R6M	5.6	1.0	0.023	3.80
DR0912-6R8M	6.8	1.0	0.025	3.50
DR0912-8R2M	8.2	1.0	0.027	3.00
DR0912-100K	10	1.0	0.035	2.80
DR0912-120K	12	1.0	0.040	2.70
DR0912-150K	15	1.0	0.045	2.30
DR0912-180K	18	1.0	0.050	2.10
DR0912-220K	22	1.0	0.060	2.00
DR0912-270K	27	1.0	0.070	1.70
DR0912-330K	33	1.0	0.100	1.50
DR0912-390K	39	1.0	0.120	1.40
DR0912-470K	47	1.0	0.125	1.30
DR0912-560K	56	1.0	0.130	1.20
DR0912-680K	68	1.0	0.140	1.00
DR0912-820K	82	1.0	0.150	0.90
DR0912-101K	100	1.0	0.160	0.70
DR0912-121K	120	1.0	0.250	0.68
DR0912-151K	150	1.0	0.280	0.65
DR0912-181K	180	1.0	0.320	0.60
DR0912-221K	220	1.0	0.470	0.50
DR0912-271K	270	1.0	0.530	0.45
DR0912-331K	330	1.0	0.600	0.40
DR0912-391K	390	1.0	0.850	0.35
DR0912-471K	470	1.0	0.950	0.33
DR0912-561K	560	1.0	1.100	0.30
DR0912-681K	680	1.0	1.200	0.25
DR0912-821K	820	1.0	1.300	0.20
DR0912-102K	1000	1.0	1.400	0.18
DR0912-152K	1500	1.0	2.900	0.15

Note:

Rated current: The DC current at which the inductance decreases to 90 % of its initial value or when $\Delta t = 40^{\circ}\text{C}$, whichever is lower ($T_a = 25^{\circ}\text{C}$)

◆ DIP Power Inductors DR Series

ELECTRICAL CHARACTERISTICS

Part Number	L (μ H)	Test Freq. (KHz)	DCR Max. (Ω)	Rated Current (A)
DR1012-1R0M	1.0	1.0	0.010	6.00
DR1012-1R5M	1.5	1.0	0.012	5.80
DR1012-1R8M	1.8	1.0	0.014	5.70
DR1012-2R7M	2.7	1.0	0.015	5.50
DR1012-3R3M	3.3	1.0	0.018	5.30
DR1012-3R9M	3.9	1.0	0.020	5.00
DR1012-4R7M	4.7	1.0	0.023	4.90
DR1012-5R6M	5.6	1.0	0.025	4.80
DR1012-6R8M	6.8	1.0	0.027	4.60
DR1012-8R2M	8.2	1.0	0.029	4.50
DR1012-100K	10	1.0	0.031	4.40
DR1012-120K	12	1.0	0.033	4.30
DR1012-150K	15	1.0	0.035	4.20
DR1012-180K	18	1.0	0.040	4.00
DR1012-220K	22	1.0	0.045	3.80
DR1012-270K	27	1.0	0.050	3.50
DR1012-330K	33	1.0	0.055	3.00
DR1012-390K	39	1.0	0.060	2.50
DR1012-470K	47	1.0	0.080	2.30
DR1012-560K	56	1.0	0.085	2.00
DR1012-680K	68	1.0	0.095	1.90
DR1012-820K	82	1.0	0.110	1.80
DR1012-101K	100	1.0	0.140	1.70
DR1012-121K	120	1.0	0.160	1.50
DR1012-151K	150	1.0	0.180	1.40
DR1012-181K	180	1.0	0.250	1.30
DR1012-221K	220	1.0	0.280	1.00
DR1012-271K	270	1.0	0.420	0.90
DR1012-331K	330	1.0	0.540	0.80
DR1012-391K	390	1.0	0.600	0.75
DR1012-471K	470	1.0	0.660	0.70
DR1012-561K	560	1.0	0.740	0.60
DR1012-681K	680	1.0	0.840	0.55
DR1012-821K	820	1.0	1.080	0.50
DR1012-102K	1000	1.0	1.390	0.45
DR1012-103K	10000	1.0	12.000	0.18

Note:

Rated current: The DC current at which the inductance decreases to 90 % of its initial value or when $\Delta t = 40^{\circ}\text{C}$, whichever is lower ($T_a = 25^{\circ}\text{C}$)