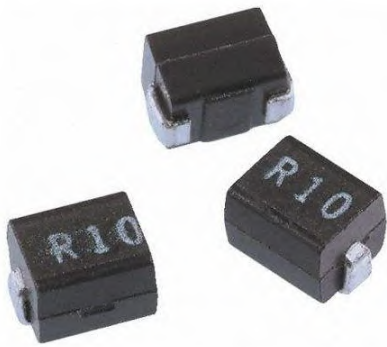


◆ SMD Power Inductors SRWM Series

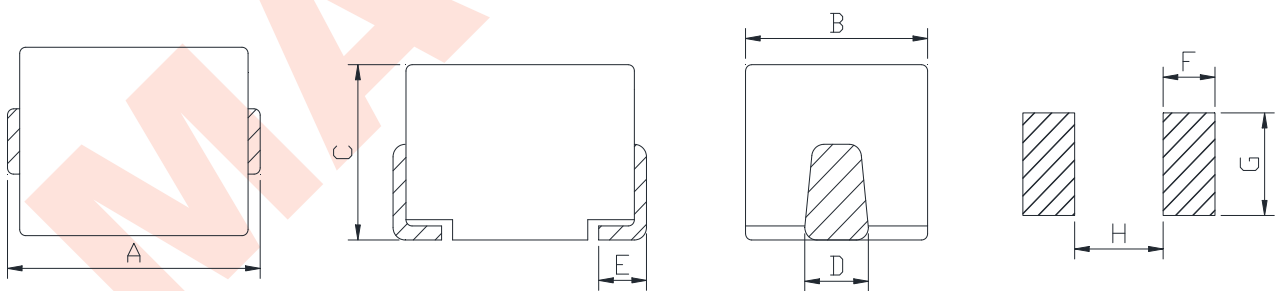


PRODUCT IDENTIFICATION

SRWM 4532 Y D - 100 K
a b c d e f

- a: Series name
b: Product dimensions (a x c)
c: Sealing way (L: Cold seal Y: Heat seal)
d: Lettering direction ▶
e: Inductance Value
(1R0:1.0uH; 100: 10uH; 101:100uH)
f: Inductance Tolerance (J:5%; K:10% ; M:20%)

SHAPES AND DIMENSIONS



Series	Dimensions(mm)							
	A	B	C	D Typ.	E	F Ref.	G Ref.	H Ref.
SRWM3225	3.2±0.3	2.5±0.2	2.2±0.2	0.6	1.0±0.2	1.2	1.2	2.0
SRWM4532	4.5±0.3	3.2±0.2	3.2±0.2	1.2	1.1±0.2	1.7	1.5	2.5

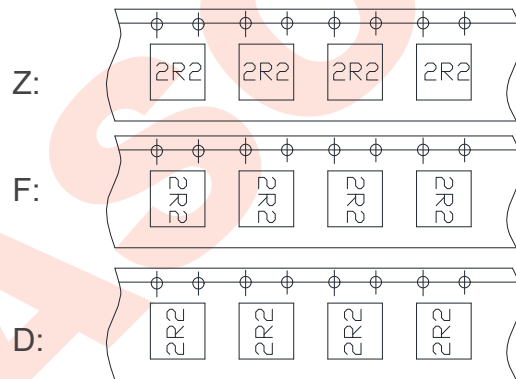
FEATURES

- ◆ Constructed of heat resistant molded resin having excellent heat resistance and mechanical strength.
- ◆ Uses metal terminals, which gives excellent connection reliability.

APPLICATIONS

- ◆ Ideally used in video cameras, hard disk drives, liquid crystal television sets, car audio equipment, mobile, communications and other small-sized general electronic appliances.

▶ Lettering direction



◆ SMD Power Inductors SRWM Series

ELECTRICAL CHARACTERISTICS

Part Number	L (μ H)	Test Freq. (MHz)	DCR Max. (Ω)	Rated Current (mA)	SRF Min.(MHz)
SRWM3225YD-1R0J	1.0	7.96	0.700	0.40	120
SRWM3225YD-1R2J	1.2	7.96	0.750	0.39	100
SRWM3225YD-1R5J	1.5	7.96	0.850	0.37	85
SRWM3225YD-1R8J	1.8	7.96	0.900	0.35	80
SRWM3225YD-2R2J	2.2	7.96	1.000	0.32	75
SRWM3225YD-2R7J	2.7	7.96	1.100	0.29	70
SRWM3225YD-3R3J	3.3	7.96	1.200	0.26	60
SRWM3225YD-3R9J	3.9	7.96	1.300	0.25	55
SRWM3225YD-4R7J	4.7	7.96	1.500	0.22	50
SRWM3225YD-5R6J	5.6	7.96	1.600	0.20	45
SRWM3225YD-6R8J	6.8	7.96	1.800	0.18	40
SRWM3225YD-8R2J	8.2	7.96	2.000	0.17	35
SRWM3225YD-100J	10	2.52	2.100	0.15	30
SRWM3225YD-120J	12	2.52	2.500	0.14	20
SRWM3225YD-150J	15	2.52	2.800	0.13	20
SRWM3225YD-180J	18	2.52	3.300	0.12	20
SRWM3225YD-220J	22	2.52	3.700	0.11	20
SRWM3225YD-270J	27	2.52	5.000	0.080	20
SRWM3225YD-330J	33	2.52	5.600	0.070	17
SRWM3225YD-390J	39	2.52	6.400	0.065	16
SRWM3225YD-470J	47	2.52	7.00	0.060	15
SRWM3225YD-560J	56	2.52	8.00	0.055	13
SRWM3225YD-680J	68	2.52	9.00	0.050	12
SRWM3225YD-820J	82	2.52	10.00	0.045	11
SRWM3225YD-101K	100	0.796	10.50	0.040	10
SRWM3225YD-121K	120	0.796	11.00	0.070	10
SRWM3225YD-151K	150	0.796	15.00	0.065	8
SRWM3225YD-181K	180	0.796	17.00	0.060	7
SRWM3225YD-221K	220	0.796	21.00	0.050	7
SRWM3225YD-331K	330	0.796	34.00	0.040	5
SRWM3225YD-391K	390	0.796	36.00	0.035	5
SRWM3225YD-471K	470	0.796	40.00	0.025	4
SRWM3225YD-102K	1000	0.252	24.00	0.015	2.4

Note:

Rated current: The DC current at which the inductance decreases to 90 % of its initial value or when $\Delta t=40^{\circ}\text{C}$, whichever is lower($T_a=25^{\circ}\text{C}$)

◆ SMD Power Inductors SRWM Series

ELECTRICAL CHARACTERISTICS

Part Number	L (μ H)	Test Freq. (MHz)	DCR Max. (Ω)	Rated Current (mA)	SRF Min.(MHz)
SRWM4532YD-R10J	0.10	25.2	0.180	0.80	300
SRWM4532YD-R18J	0.18	25.2	0.240	0.70	220
SRWM4532YD-R22J	0.22	25.2	0.250	0.65	200
SRWM4532YD-R33J	0.33	25.2	0.280	0.60	165
SRWM4532YD-R47J	0.47	25.2	0.320	0.54	145
SRWM4532YD-R56J	0.56	25.2	0.360	0.52	140
SRWM4532YD-R68J	0.68	25.2	0.400	0.50	135
SRWM4532YD-R82J	0.82	25.2	0.450	0.47	130
SRWM4532YD-1R0J	1.0	25.2	0.500	0.45	100
SRWM4532YD-1R2J	1.2	7.96	0.550	0.43	80
SRWM4532YD-1R5J	1.5	7.96	0.600	0.41	70
SRWM4532YD-1R8J	1.8	7.96	0.650	0.39	60
SRWM4532YD-2R2J	2.2	7.96	0.700	0.38	55
SRWM4532YD-2R7J	2.7	7.96	0.750	0.37	50
SRWM4532YD-3R3J	3.3	7.96	0.800	0.35	45
SRWM4532YD-3R9J	3.9	7.96	0.900	0.33	40
SRWM4532YD-4R7J	4.7	7.96	1.000	0.31	35
SRWM4532YD-5R6J	5.6	7.96	1.100	0.30	33
SRWM4532YD-6R8J	6.8	7.96	1.200	0.28	27
SRWM4532YD-8R2J	8.2	7.96	1.400	0.27	25
SRWM4532YD-100J	10	2.52	1.600	0.25	20
SRWM4532YD-120J	12	2.52	2.000	0.22	18
SRWM4532YD-150J	15	2.52	2.500	0.20	17
SRWM4532YD-180J	18	2.52	2.800	0.19	15
SRWM4532YD-220J	22	2.52	3.200	0.18	13
SRWM4532YD-270J	27	2.52	3.600	0.17	12
SRWM4532YD-330J	33	2.52	4.000	0.16	11
SRWM4532YD-390J	39	2.52	4.500	0.15	10
SRWM4532YD-470J	47	2.52	5.000	0.14	10
SRWM4532YD-560J	56	2.52	5.500	0.13	9
SRWM4532YD-680J	68	2.52	6.000	0.13	9
SRWM4532YD-820J	82	2.52	7.000	0.12	8
SRWM4532YD-101K	100	0.796	8.000	0.11	8
SRWM4532YD-121K	120	0.796	8.000	0.11	6
SRWM4532YD-151K	150	0.796	9.000	0.10	5

Note:

Rated current: The DC current at which the inductance decreases to 90 % of its initial value or when $\Delta t = 40^{\circ}\text{C}$, whichever is lower($T_a = 25^{\circ}\text{C}$)