

◆ Current sensor transformer

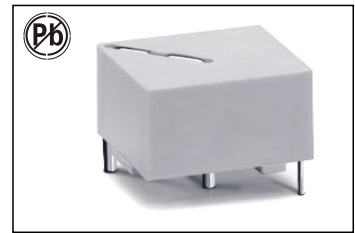
CT17 Series

FEATURES:

- * Current sense transformers provide output feedback to the pulse control circuitry allowing low-cost regulation of switch-mode power supplies
- * 25A Rated primary current(40A Max)
- * 500kHz maximum frequency

APPLICATIONS:

- * switch-mode power supplies
- * lighting
- * switch controls



Electrical specification @ 25°C Operating temperature: -40°C to +125°C

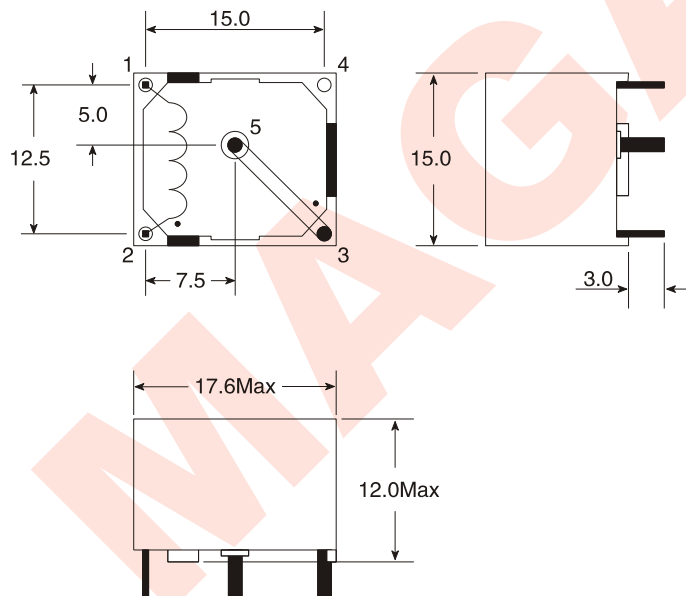
Part No.	Prim/Sec Ratio	Sec L (mH MIN)	Sec DCR (MAX)	V x T (MAX)
CT1751	1:50	4.7	0.5	175PVS
CT1752	1:100	18	2.0	350PVS
CT1753	1:200	76	4.5	700PVS
CT1754	1:500	470	16.0	1750PVS
CT1755	1:1000	1900	50.0	3500PVS

NOTES:

L: Inductance:(2-1)tested at 10KHz&10mV
 $V \times T : V = R_t \times I_s$ $T = 1/2F$

$R_t (\Omega)$: Recommended terminating resistance
 $I_s(A)$: Sec. current $F(Hz)$: Frequency

Mechanical

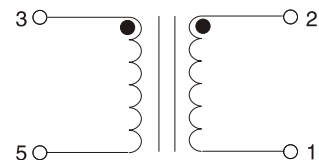


Pin3&5: ϕ 1.2mm

Pin1&2: ϕ 0.5mm

Unless otherwise specified, all tolerance are ± 0.5

Schematic



- Insulation resistance: 500V DC >100M Ω
- Hi-Pot : 4000V 1mA 60S
- Temperature range: -25°C to +85°C
- Storage Temperature: -40°C to +105°C
- Resistance to soldering heat: 260°C for 10 seconds
- Marking: Part number and date code

Note: All specifications subject to change without notice.