

◆ SMD Power Inductors CD Series

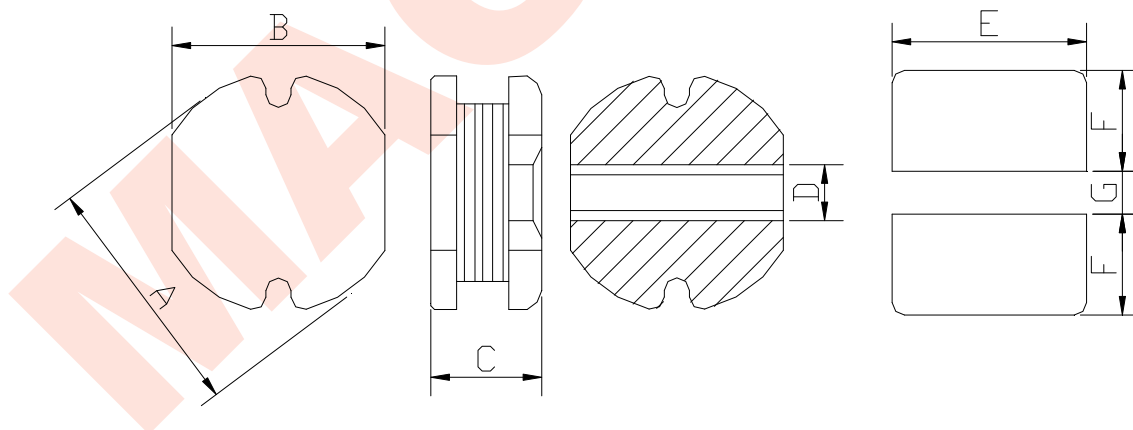


PRODUCT IDENTIFICATION

CD 32 L Z - 101 M
a b c d e f

- a: Series name
- b: Product dimensions (a x c)
- c: Sealing way (L: Cold seal Y: Heat seal)
- d: Lettering direction ▶
- e: Inductance Value
(1R0:1.0uH; 100: 10uH; 101:100uH)
- f: Inductance Tolerance (K:10% ; M:20% ; N:30%)

SHAPES AND DIMENSIONS



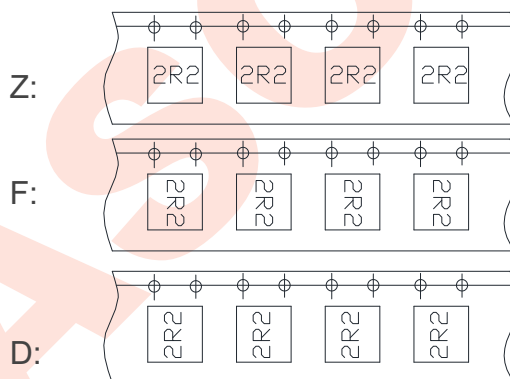
FEATURES

- ◆ High heat resistance and excellent solderability.
- ◆ Excellent terminal strength construction.
- ◆ Surface mount inductor with high current rating.

APPLICATIONS

- ◆ Ideally used in Digital camera, notebook, PC, LCD TV set, DC-DC Converters, etc.

▶ Lettering direction



◆ SMD Power Inductors CD Series

Series	Dimensions(mm)						
	A	B	C	D	E Ref.	F Ref.	G Ref.
CD31	3.5±0.3	3.0±0.3	1.6±0.3	1.0	3.2	1.3	1.0
CD32	3.5±0.3	3.0±0.3	2.1±0.3	1.0	3.2	1.3	1.0
CD42	4.5±0.3	4.0±0.3	2.1±0.3	1.2	4.5	1.8	1.5
CD43	4.5±0.3	4.0±0.3	3.2±0.3	1.2	4.5	1.8	1.5
CD53	5.8±0.3	5.2±0.3	3.0±0.3	1.3	5.5	2.2	1.7
CD54	5.8±0.3	5.2±0.3	4.5±0.3	1.3	5.5	2.2	1.7
CD73	7.8±0.3	7.0±0.3	3.5±0.3	2.1	7.5	3.0	2.0
CD75	7.8±0.3	7.0±0.3	5.0±0.3	2.1	7.5	3.0	2.0
CD105	10.0±0.3	9.0±0.3	5.4±0.3	2.1	9.5	3.75	2.5

ELECTRICAL CHARACTERISTICS

Part Number	L (μ H)	Test Freq. (KHz)	DCR Max. (Ω)	Rated Current (A)
CD31LD-1R2M	1.2	100	0.099	1.24
CD31LD-1R5M	1.5	100	0.128	1.06
CD31LD-2R2M	2.2	100	0.194	0.88
CD31LD-3R3M	3.3	100	0.270	0.79
CD31LD-3R9M	3.9	100	0.321	0.68
CD31LD-4R7M	4.7	100	0.376	0.66
CD31LD-5R6M	5.6	100	0.393	0.61
CD31LD-6R8M	6.8	100	0.485	0.56
CD31LD-8R2M	8.2	100	0.628	0.50
CD31LD-100M	10	100	0.809	0.45
CD31LD-120M	12	100	0.901	0.40
CD31LD-150M	15	100	1.063	0.37
CD31LD-180M	18	100	1.231	0.34
CD31LD-220M	22	100	1.750	0.31
CD31LD-270M	27	100	2.113	0.28
CD31LD-330M	33	100	2.888	0.24
CD31LD-390M	39	100	3.100	0.23
CD31LD-470M	47	100	3.513	0.21
CD31LD-560M	56	100	3.950	0.20
CD31LD-680M	68	100	5.688	0.18
CD31LD-820M	82	100	6.575	0.15
CD31LD-101M	100	100	7.700	0.14

Note:

Rated current The DC current at which the inductance decreases to 90 % of its initial value or when $\Delta t=40^{\circ}\text{C}$, whichever is lower($T_a=25^{\circ}\text{C}$)

◆ SMD Power Inductors CD Series

ELECTRICAL CHARACTERISTICS

Part Number	L (μ H)	Test Freq. (KHz)	DCR Max. (Ω)	Rated Current (A)
CD32LD-2R2M	2.2	100	0.080	1.80
CD32LD-2R7M	2.7	100	0.110	1.70
CD32LD-3R3M	3.3	100	0.130	1.60
CD32LD-4R7M	4.7	100	0.170	1.50
CD32LD-5R6M	5.6	100	0.185	1.20
CD32LD-6R8M	6.8	100	0.200	1.05
CD32LD-8R2M	8.2	100	0.220	0.90
CD32LD-100M	10	100	0.230	0.76
CD32LD-120M	12	100	0.270	0.68
CD32LD-150M	15	100	0.310	0.63
CD32LD-180M	18	100	0.410	0.52
CD32LD-220M	22	100	0.470	0.50
CD32LD-270M	27	100	0.660	0.40
CD32LD-330M	33	100	0.760	0.38
CD32LD-390M	39	100	0.850	0.35
CD32LD-470M	47	100	0.970	0.33
CD32LD-560M	56	100	1.250	0.29
CD32LD-680M	68	100	1.450	0.27
CD32LD-820M	82	100	1.850	0.23
CD32LD-101K	100	100	2.200	0.22
CD32LD-121K	120	100	2.900	0.18
CD32LD-151K	150	100	3.400	0.17
CD32LD-181K	180	100	3.900	0.16
CD32LD-221K	220	100	4.500	0.15
CD32LD-271K	270	100	6.000	0.13
CD32LD-331K	330	100	7.000	0.12
CD32LD-391K	390	100	7.800	0.11

Note:

Rated current The DC current at which the inductance decreases to 90 % of its initial value or when $\Delta t=40^{\circ}\text{C}$, whichever is lower($T_a=25^{\circ}\text{C}$)

◆ SMD Power Inductors CD Series

ELECTRICAL CHARACTERISTICS

Part Number	L (μ H)	Test Freq. (KHz)	DCR Max. (Ω)	Rated Current (A)
CD42LD-1R0M	1.0	100	0.030	2.50
CD42LD-1R5M	1.5	100	0.040	2.30
CD42LD-1R8M	1.8	100	0.050	2.00
CD42LD-2R2M	2.2	100	0.060	1.80
CD42LD-3R3M	3.3	100	0.080	1.50
CD42LD-4R7M	4.7	100	0.106	1.20
CD42LD-6R8M	6.8	100	0.135	1.00
CD42LD-100M	10	100	0.195	0.80
CD42LD-150M	15	100	0.330	0.70
CD42LD-220M	22	100	0.486	0.60
CD42LD-330M	33	100	0.640	0.55
CD42LD-390M	39	100	0.700	0.50
CD42LD-470M	47	100	0.950	0.40
CD42LD-680M	68	100	1.350	0.30
CD42LD-101K	100	100	1.710	0.25
CD42LD-151K	150	100	2.530	0.24
CD42LD-221K	220	100	4.200	0.23
CD42LD-331K	330	100	5.300	0.20
CD42LD-391K	390	100	6.820	0.18
CD42LD-471K	470	100	7.780	0.15

Note:

Rated current The DC current at which the inductance decreases to 90 % of its initial value or when $\Delta t=40^{\circ}\text{C}$, whichever is lower ($T_a=25^{\circ}\text{C}$)

◆ SMD Power Inductors CD Series

ELECTRICAL CHARACTERISTICS

Part Number	L (μ H)	Test Freq. (KHz)	DCR Max. (Ω)	Rated Current (A)
CD43LD-1R0M	1.0	100	0.033	3.80
CD43LD-1R5M	1.5	100	0.038	3.30
CD43LD-1R8M	1.8	100	0.042	2.91
CD43LD-2R2M	2.2	100	0.047	2.60
CD43LD-2R7M	2.7	100	0.052	2.43
CD43LD-3R3M	3.3	100	0.058	2.15
CD43LD-3R9M	3.9	100	0.076	1.98
CD43LD-4R7M	4.7	100	0.094	1.70
CD43LD-5R6M	5.6	100	0.101	1.60
CD43LD-6R8M	6.8	100	0.117	1.41
CD43LD-8R2M	8.2	100	0.132	1.26
CD43LD-100M	10	100	0.182	1.15
CD43LD-120M	12	100	0.210	1.05
CD43LD-150M	15	100	0.235	0.92
CD43LD-180M	18	100	0.338	0.84
CD43LD-220M	22	100	0.378	0.76
CD43LD-270M	27	100	0.522	0.71
CD43LD-330M	33	100	0.540	0.64
CD43LD-390M	39	100	0.587	0.59
CD43LD-470M	47	100	0.844	0.54
CD43LD-560M	56	100	0.937	0.50
CD43LD-680M	68	100	1.117	0.46
CD43LD-820M	82	100	1.345	0.45
CD43LD-101K	100	100	1.520	0.44
CD43LD-121K	120	100	1.800	0.43
CD43LD-151K	150	100	2.000	0.42
CD43LD-181K	180	100	3.200	0.38
CD43LD-221K	220	100	3.400	0.36
CD43LD-271K	270	100	3.900	0.34
CD43LD-331K	330	100	5.300	0.28
CD43LD-391K	390	100	5.900	0.24
CD43LD-471K	470	100	6.800	0.21
CD43LD-561K	560	100	8.500	0.20
CD43LD-681K	680	100	10.000	0.18
CD43LD-821K	820	100	13.400	0.15
CD43LD-102K	1000	100	15.600	0.14

Note:

Rated current The DC current at which the inductance decreases to 90 % of its initial value or when $\Delta t=40^{\circ}\text{C}$, whichever is lower($T_a=25^{\circ}\text{C}$)

◆ SMD Power Inductors CD Series

ELECTRICAL CHARACTERISTICS

Part Number	L (μ H)	Test Freq. (KHz)	DCR Max. (Ω)	Rated Current (A)
CD53LD-1R0M	1.0	100	0.030	4.50
CD53LD-1R2M	1.2	100	0.030	4.20
CD53LD-1R5M	1.5	100	0.030	4.10
CD53LD-1R8M	1.8	100	0.030	3.70
CD53LD-2R2M	2.2	100	0.030	3.50
CD53LD-2R7M	2.7	100	0.040	3.20
CD53LD-3R3M	3.3	100	0.050	2.80
CD53LD-3R9M	3.9	100	0.060	2.60
CD53LD-4R7M	4.7	100	0.070	2.50
CD53LD-5R6M	5.6	100	0.080	2.40
SD53LD-6R8M	6.8	100	0.090	2.20
CD53LD-8R2M	8.2	100	0.100	2.00
CD53LD-100M	10	100	0.120	1.80
CD53LD-120M	12	100	0.130	1.75
CD53LD-150M	15	100	0.150	1.70
CD53LD-180M	18	100	0.180	1.60
CD53LD-220M	22	100	0.220	1.50
CD53LD-270M	27	100	0.240	1.40
CD53LD-330M	33	100	0.300	1.10
CD53LD-390M	39	100	0.400	1.00
CD53LD-470M	47	100	0.430	0.90
CD53LD-560M	56	100	0.500	0.85
CD53LD-680M	68	100	0.600	0.80
CD53LD-820M	82	100	0.800	0.65
CD53LD-101K	100	100	0.900	0.60
CD53LD-121K	120	100	1.000	0.58
CD53LD-151K	150	100	1.300	0.43
CD53LD-181K	180	100	1.500	0.41
CD53LD-221K	220	100	2.000	0.38
CD53LD-271K	270	100	2.500	0.35
CD53LD-331K	330	100	3.200	0.28
CD53LD-391K	390	100	3.500	0.26
CD53LD-471K	470	100	4.200	0.20
CD53LD-561K	560	100	4.500	0.19
CD53LD-681K	680	100	6.000	0.18
CD53LD-821K	820	100	6.500	0.15
CD53LD-102K	1000	100	8.000	0.13

Note: **Rated current** The DC current at which the inductance decreases to 90 % of its initial value or when $\Delta t=40^{\circ}\text{C}$, whichever is lower ($T_a=25^{\circ}\text{C}$)

◆ SMD Power Inductors CD Series

ELECTRICAL CHARACTERISTICS

Part Number	L (μ H)	Test Freq. (KHz)	DCR Max. (Ω)	Rated Current (A)
CDC54LD-1R0M	1.0	100	0.015	5.90
CD54LD-1R2M	1.2	100	0.020	5.20
CD54LD-1R5M	1.5	100	0.025	4.70
CD54LD-1R8M	1.8	100	0.030	4.00
CD54LD-2R2M	2.2	100	0.035	3.80
CD54LD-2R7M	2.7	100	0.040	3.40
CD54LD-3R3M	3.3	100	0.045	3.30
CD54LD-3R9M	3.9	100	0.050	2.90
CD54LD-4R7M	4.7	100	0.060	2.80
CD54LD-5R6M	5.6	100	0.070	2.40
CD54LD-6R8M	6.8	100	0.080	2.10
CD54LD-8R2M	8.2	100	0.090	2.00
CD54LD-100M	10	100	0.100	1.44
CD54LD-120M	12	100	0.120	1.40
CD54LD-150M	15	100	0.140	1.30
CD54LD-180M	18	100	0.150	1.23
CD54LD-220M	22	100	0.180	1.11
CD54LD-270M	27	100	0.200	0.97
CD54LD-330M	33	100	0.230	0.88
CD54LD-390M	39	100	0.320	0.80
CD54LD-470M	47	100	0.370	0.72
CD54LD-560M	56	100	0.420	0.68
CD54LD-680M	68	100	0.460	0.61
CD54LD-820M	82	100	0.600	0.58
CD54LD-101K	100	100	0.700	0.52
CD54LD-121K	120	100	0.930	0.48
CD54LD-151K	150	100	1.100	0.40
CD54LD-181K	180	100	1.380	0.38
CD54LD-221K	220	100	1.570	0.35
CD54LD-271K	270	100	1.650	0.32
CD54LD-331K	330	100	1.700	0.28
CD54LD-391K	390	100	1.800	0.26
CD54LD-471K	470	100	2.300	0.23
CD54LD-561K	560	100	2.5 00	0.20
CD54LD-681K	680	100	3.000	0.19
CD54LD-821K	820	100	4.500	0.16
CD54LD-102K	1000	100	4.800	0.14

Note: **Rated current** The DC current at which the inductance decreases to 90 % of its initial value or when $\Delta t=40^{\circ}\text{C}$, whichever is lower ($T_a=25^{\circ}\text{C}$)

◆ SMD Power Inductors CD Series

ELECTRICAL CHARACTERISTICS

Part Number	L (μ H)	Test Freq. (KHz)	DCR Max. (Ω)	Rated Current (A)
CD73LD-1R0M	1.0	100	0.010	6.00
CD73LD-1R5M	1.5	100	0.013	5.80
CD73LD-2R2M	2.2	100	0.018	5.20
CD73LD-3R3M	3.3	100	0.025	4.00
CD73LD-4R7M	4.7	100	0.035	3.50
CD73LD-5R6M	5.6	100	0.040	3.00
CD73LD-6R8M	6.8	100	0.050	2.50
CD73LD-8R2M	8.2	100	0.060	2.00
CD73LD-100M	10	100	0.080	1.44
CD73LD-120M	12	100	0.090	1.33
CD73LD-150M	15	100	0.100	1.24
CD73LD-180M	18	100	0.110	1.12
CD73LD-220M	22	100	0.130	1.07
CD73LD-270M	27	100	0.150	0.94
CD73LD-330M	33	100	0.170	0.85
CD73LD-390M	39	100	0.220	0.74
CD73LD-470M	47	100	0.250	0.68
CD73LD-560M	56	100	0.280	0.64
CD73LD-680M	68	100	0.330	0.59
CD3LD-820M	82	100	0.410	0.54
CD73LD-101K	100	100	0.480	0.51
CD73LD-121K	120	100	0.540	0.49
CD73LD-151K	150	100	0.750	0.40
CD73LD-181K	180	100	1.020	0.36
CD73LD-221K	220	100	1.200	0.31
CD73LD-271K	270	100	1.310	0.29
CD73LD-331K	330	100	1.500	0.28
CD73LD-391K	390	100	1.850	0.25
CD73LD-471K	470	100	2.200	0.22
CD73LD-561K	560	100	2.600	0.20
CD73LD-681K	680	100	3.200	0.13
CD73LD-821K	820	100	3.900	0.11
CD73LD-102K	1000	100	4.500	0.08

Note:

Rated current The DC current at which the inductance decreases to 90 % of its initial value or when $\Delta t=40^{\circ}\text{C}$, whichever is lower($T_a=25^{\circ}\text{C}$)

◆ SMD Power Inductors CD Series

ELECTRICAL CHARACTERISTICS

Part Number	L (μ H)	Test Freq. (KHz)	DCR Max. (Ω)	Rated Current (A)
CD75LD-1R0M	1.0	100	0.030	11.2
CD75LD-1R2M	1.2	100	0.030	9.87
CD75LD-1R5M	1.5	100	0.040	8.35
CD75LD-1R8M	1.8	100	0.040	7.12
CD75LD-2R2M	2.2	100	0.050	6.52
CD75LD-2R7M	2.7	100	0.060	6.06
CD75LD-3R3M	3.3	100	0.060	5.26
CD75LD-3R9M	3.9	100	0.060	4.68
CD75LD-4R7M	4.7	100	0.070	4.54
CD75LD-5R6M	5.6	100	0.070	4.25
CD75LD-6R8M	6.8	100	0.070	3.45
CD75LD-8R2M	8.2	100	0.070	3.10
CD75LD-100M	10	100	0.070	2.30
CD75LD-120M	12	100	0.080	2.00
CD75LD-150M	15	100	0.090	1.80
CD75LD-180M	18	100	0.100	1.60
CD75LD-220M	22	100	0.110	1.50
CD75LD-270M	27	100	0.120	1.30
CD75LD-330M	33	100	0.130	1.20
CD75LD-390M	39	100	0.160	1.10
CD75LD-470M	47	100	0.180	1.10
CD75LD-560M	56	100	0.240	0.94
CD75LD-680M	68	100	0.280	0.85
CD75LD-820M	82	100	0.370	0.78
CD75LD-101K	100	100	0.430	0.72
CD75LD-121K	120	100	0.470	0.66
CD75LD-151K	150	100	0.640	0.58
CD75LD-181K	180	100	0.710	0.51
CD75LD-221K	220	100	0.960	0.49
CD75LD-271K	270	100	1.110	0.42
CD75LD-331K	330	100	1.260	0.40
CD75LD-391K	390	100	1.770	0.36
CD75LD-471K	470	100	1.960	0.34
CD75LD-561K	560	100	2.000	0.33
CD75LD-681K	680	100	2.200	0.32
CD75LD-821K	820	100	2.900	0.25
CD75LD-102K	1000	100	3.600	0.23

Note: **Rated current** The DC current at which the inductance decreases to 90 % of its initial value or when $\Delta t=40^{\circ}\text{C}$, whichever is lower ($T_a=25^{\circ}\text{C}$)

◆ SMD Power Inductors CD Series

ELECTRICAL CHARACTERISTICS

Part Number	L (μ H)	Test Freq. (KHz)	DCR Max. (Ω)	Rated Current (A)
CD105LD-1R0M	1.0	100	0.008	10.50
CD105LD-1R5M	1.5	100	0.010	9.50
CD105LD-2R2M	2.2	100	0.013	8.50
CD105LD-3R3M	3.3	100	0.015	7.50
CD105LD-4R7M	4.7	100	0.018	6.80
CD105LD-5R6M	5.6	100	0.025	5.00
CD105LD-6R8M	6.8	100	0.030	4.20
CD105LD-8R2M	8.2	100	0.050	3.50
CD105LD-100M	10	100	0.060	2.60
CD105LD-120M	12	100	0.070	2.45
CD105LD-150M	15	100	0.080	2.27
CD105LD-180M	18	100	0.090	2.15
CD105LD-220M	22	100	0.100	1.95
CD105LD-270M	27	100	0.110	1.76
CD105LD-330M	33	100	0.120	1.50
CD105LD-390M	39	100	0.140	1.37
CD105LD-470M	47	100	0.170	1.28
CD105LD-560M	56	100	0.190	1.17
CD105LD-680M	68	100	0.220	1.11
CD105LD-820M	82	100	0.250	1.00
CD105LD-101K	100	100	0.350	0.97
CD105LD-121K	120	100	0.400	0.89
CD105LD-151K	150	100	0.470	0.78
CD105LD-181K	180	100	0.630	0.72
CD105LD-221K	220	100	0.730	0.66
CD105LD-271K	270	100	0.970	0.57
CD105LD-331K	330	100	1.150	0.52
CD105LD-391K	390	100	1.300	0.48
CD105LD-471K	470	100	1.480	0.42
CD105LD-561K	560	100	1.900	0.33
CD105LD-681K	680	100	2.250	0.28
CD105LD-821K	820	100	2.550	0.24
CD105LD-102K	1000	100	2.700	0.20

Note:

Rated current The DC current at which the inductance decreases to 90 % of its initial value or when $\Delta t=40^{\circ}\text{C}$, whichever is lower($T_a=25^{\circ}\text{C}$)