

# ◆ SMD Power Inductors SRR Series

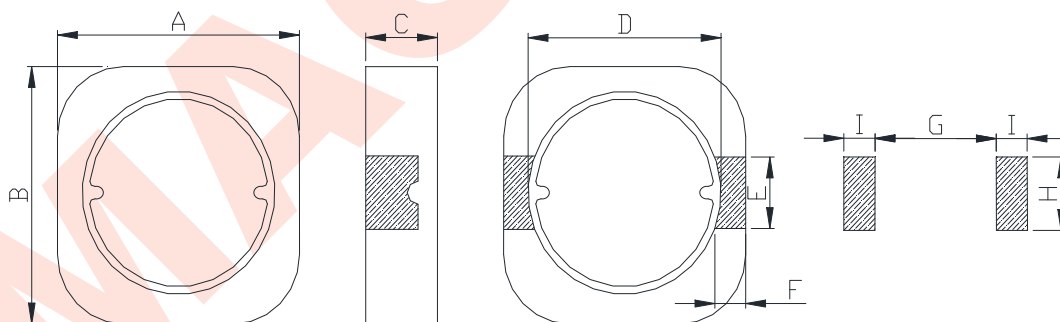


## PRODUCT IDENTIFICATION

SRR 104 L Z - 220 M  
a b c d e f

- a: Series name
- b: Product dimensions (a x c)
- c: Sealing way (L: Cold seal Y: Heat seal)
- d: Lettering direction ▶
- e: Inductance Value  
(1R0:1.0uH; 100: 10uH; 101:100uH)
- f: Inductance Tolerance (K:10% ; M:20% ; N:30%)

## SHAPES AND DIMENSIONS



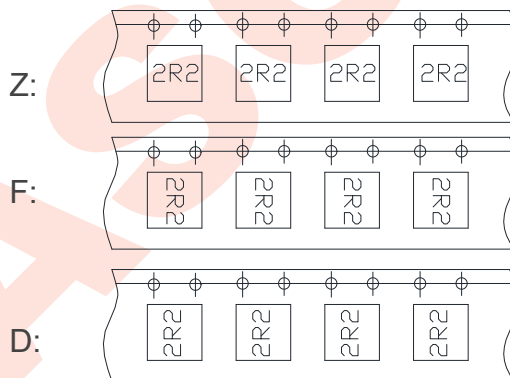
## FEATURES

- ◆ Low DC resistance and for large current.
- ◆ Closed magnetic circuit crosstalk.
- ◆ Excellent solderability and heat resistance.
- ◆ Available for automatic mounting in tape and reel package.

## APPLICATIONS

- ◆ Ideally used in Power supply for VTR, OA equipment, Digital camera, LCD television set notebook PC, etc as DC-DC Converter.

### ▶ Lettering direction



Series	Dimensions(mm)								
	A Max.	B Max.	C Max.	D Ref.	E Ref.	F Ref.	G Ref.	H Ref.	I Ref.
SRR53	5.30	5.30	3.00	4.20	1.60	0.60	4.00	1.80	0.80
SRR63	6.30	6.30	3.00	4.80	2.00	0.70	4.60	2.20	0.90
SRR104	10.4	10.4	4.8	6.00	3.00	2.00	6.40	3.30	2.20

# ◆ SMD Power Inductors SRR Series

## ELECTRICAL CHARACTERISTICS

Part Number	L ( $\mu$ H)	Test Freq. (KHz)	DCR Max. ( $\Omega$ )	Rated Current (A)
SRR53LZ-1R1M	1.1	100	0.020	3.87
SRR53LZ-3R3M	3.3	100	0.034	2.36
SRR53LZ-4R7M	4.7	100	0.045	1.87
SRR53LZ-6R8M	6.8	100	0.068	1.51
SRR53LZ-100M	10	100	0.090	1.33
SRR53LZ-150M	15	100	0.142	1.05
SRR53LZ-220M	22	100	0.208	0.86
SRR53LZ-330M	33	100	0.257	0.72
SRR53LZ-470M	47	100	0.352	0.62
SRR53LZ-680M	68	100	0.525	0.51

Part Number	L ( $\mu$ H)	Test Freq. (KHz)	DCR Max. ( $\Omega$ )	Rated Current (A)
SRR63LZ-1R0M	1.0	100	0.014	3.59
SRR63LZ-1R5M	1.5	100	0.016	2.93
SRR63LZ-2R2M	2.2	100	0.020	2.42
SRR63LZ-3R3M	3.3	100	0.026	1.89
SRR63LZ-4R7M	4.7	100	0.034	1.66
SRR63LZ-6R2M	6.2	100	0.040	1.45
SRR63LZ-100M	10	100	0.061	1.14
SRR63LZ-150M	15	100	0.078	0.93
SRR63LZ-180M	18	100	0.093	0.85
SRR63LZ-220M	22	100	0.119	0.77
SRR63LZ-330M	33	100	0.175	0.63
SRR63LZ-390M	39	100	0.188	0.58
SRR63LZ-470M	47	100	0.231	0.53
SRR63LZ-560M	56	100	0.275	0.48
SRR63LZ-680M	68	100	0.338	0.44
SRR63LZ-820M	82	100	0.413	0.40
SRR63LZ-101M	100	100	0.519	0.36

**Note:**

**Rated current:** The DC current at which the inductance decreases to 70 % of its initial value or when  $\Delta t = 40^{\circ}\text{C}$ , whichever is lower ( $T_a = 25^{\circ}\text{C}$ )

# ◆ SMD Power Inductors SRR Series

## ELECTRICAL CHARACTERISTICS

Part Number	L ( $\mu$ H)	Test Freq. (KHz)	DCR Max. ( $\Omega$ )	Rated Current (A)
SRR104LZ-1R0M	1.0	100	0.014	8.70
SRR104LZ-2R7M	2.7	100	0.016	7.30
SRR104LZ-3R9M	3.9	100	0.018	5.80
SRR104LZ-6R8M	6.8	100	0.035	4.50
SRR104LZ-8R2M	8.2	100	0.040	4.10
SRR104LZ-100M	10	100	0.044	3.60
SRR104LZ-120M	12	100	0.051	3.30
SRR104LZ-150M	15	100	0.062	3.10
SRR104LZ-180M	18	100	0.079	2.70
SRR104LZ-220M	22	100	0.087	2.40
SRR104LZ-330M	33	100	0.125	2.00
SRR104LZ-470M	47	100	0.175	1.70
SRR104LZ-560M	56	100	0.195	1.50
SRR104LZ-680M	68	100	0.240	1.30
SRR104LZ-820M	82	100	0.295	1.20
SRR104LZ-101M	100	100	0.380	1.00

**Note:**

**Rated current:** The DC current at which the inductance decreases to 70 % of its initial value or when  $\Delta t = 40^\circ\text{C}$ , whichever is lower ( $T_a = 25^\circ\text{C}$ )