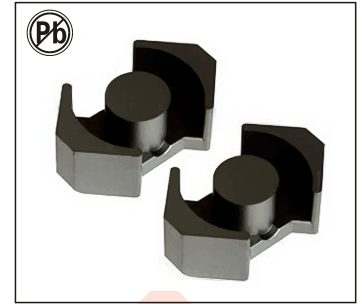
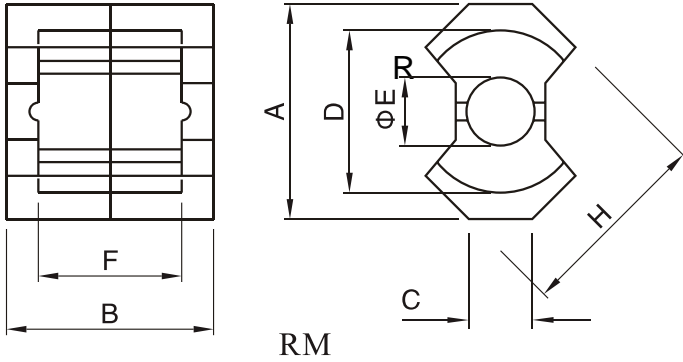


◆ RM Series cores



(MATERIALS):H10K, H7K, H6K, P1, P2, P3
Dimensions & Effective parameter

CORES TYPE	Dimensions(mm)							Effective parameter					
	A	B	C	D	ΦE	F	H	C1 (mm^{-1})	Ae (mm^2)	Le (mm)	Ve (mm^3)	Al $\pm 25\%$ (nH/N ²)	Weight (g)
RM4	10.8 \pm 0.2	10.4 \pm 0.1	4.45 \pm 0.15	8.15 \pm 0.2	3.8 \pm 0.1	7.2 \pm 0.2	9.63 \pm 0.2	1.62	14.0	22.7	318	2450min (H7K)	1.7
RM5	14.35 \pm 0.25	10.4 \pm 0.2	6.6 \pm 0.25	10.4 \pm 0.2	4.8 \pm 0.1	6.5 \pm 0.2	12.05 \pm 0.25	0.94	23.7	22.4	530	4350 min(H7K)	3.0
RM6	17.6 \pm 0.3	12.4 \pm 0.2	8.0 \pm 0.2	12.65 \pm 0.25	6.3 \pm 0.1	8.2 \pm 0.2	15.0 \pm 0.3	0.78	36.6	28.6	1050	5250 min(H7K)	5.5
RM7	19.9 \pm 0.4	13.4 \pm 0.2	7.1 \pm 0.5	15.08 \pm 0.33	7.1 \pm 0.15	8.65 \pm 0.25	16.85 \pm 0.35	0.69	46.0	31.8	1460	1950min (p2)	7.2
RM8	22.75 \pm 0.45	16.4 \pm 0.2	10.8 \pm 0.2	17.3 \pm 0.3	8.4 \pm 0.15	11.0 \pm 0.2	19.7 \pm 0.7	0.59	64.0	38.0	2430	7000min (H7K)	13.0
RM10	27.85 \pm 0.65	18.6 \pm 0.1	13.25 \pm 0.25	21.65 \pm 0.45	10.7 \pm 0.2	12.7 \pm 0.3	24.15 \pm 0.55	0.45	98.0	44.0	4310	3630min (p2)	23.0
RM12	36.75 \pm 0.65	23.5 \pm 0.2	16.0 \pm 0.3	25.5 \pm 0.5	12.6 \pm 0.2	17.1 \pm 0.3	29.25 \pm 0.55	0.40	140	56.9	7960	4150 min(P2)	42.0
RM14	41.6 \pm 0.6	28.8 \pm 0.2	18.7 \pm 0.3	29.5 \pm 0.5	14.75 \pm 0.25	21.1 \pm 0.3	34.2 \pm 0.5	0.39	178	70.0	12400	4600 min(P2)	70.0